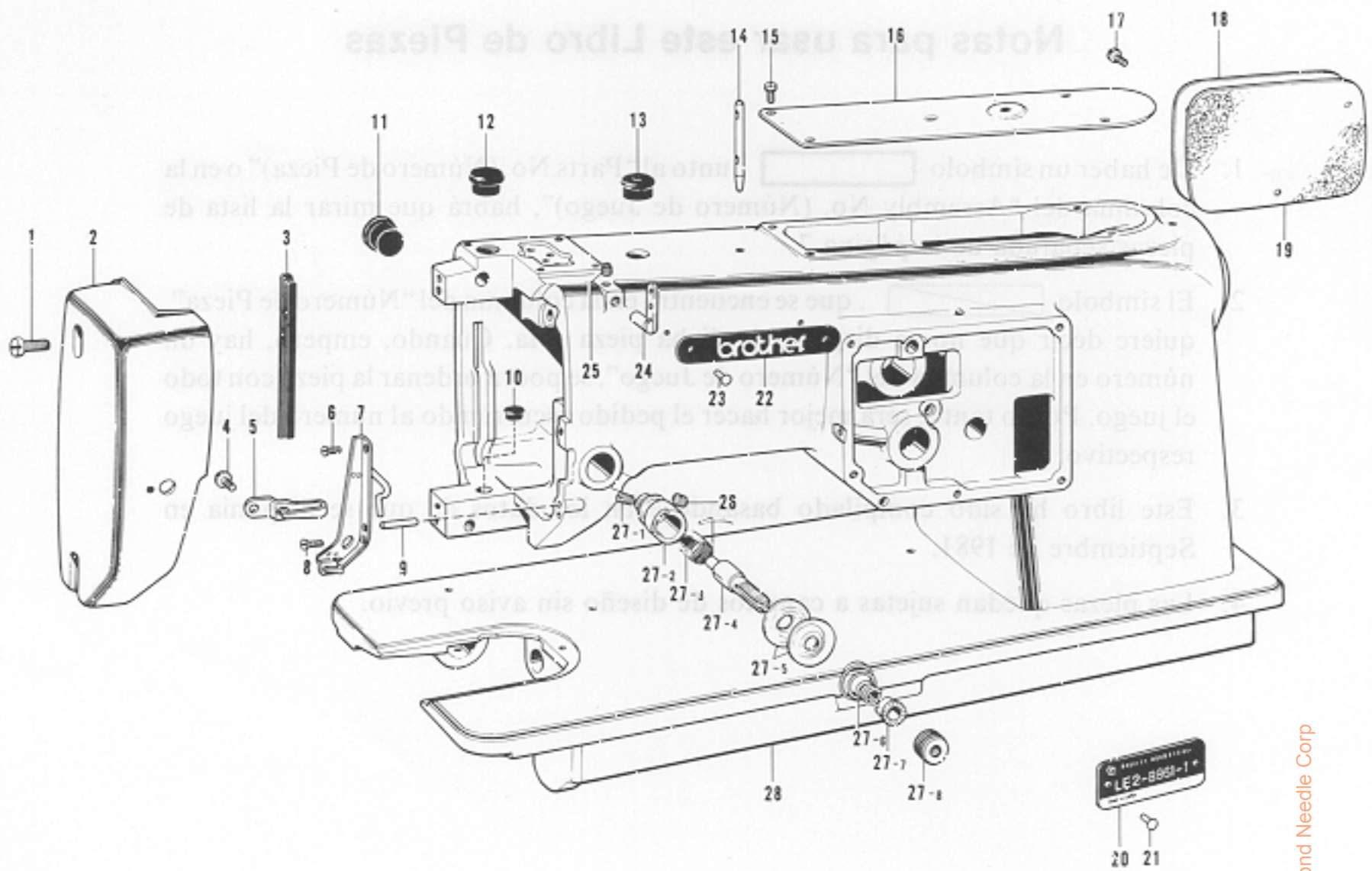


# A. Machine Body



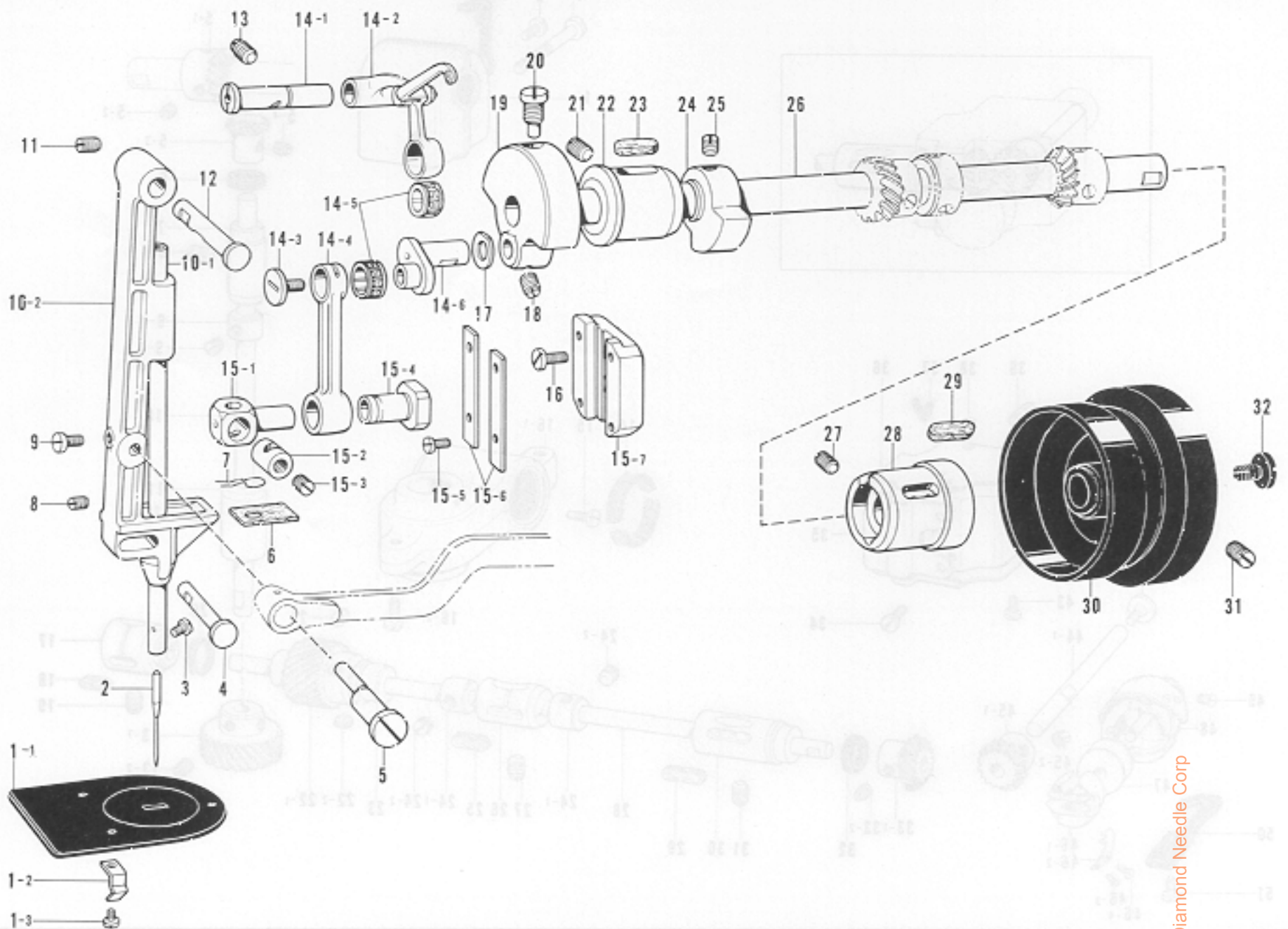
CONTENTS

Ref. No.	Name of Parts	Q'ty	Parts No.	Assembly No.	Ref. No.	Name of Parts	Q'ty	Parts No.	Assembly No.
A-1	Screw 4.76	2	107474-0-02		A-19	Packing	1	116981-0-00	
A-2	Face Plate	1	117533-1-01		A-20	Model Plate	1		
A-3	Oil Cap	1	117935-0-01		A-21	Pin	2		
A-4	Screw 3.57 x 4	1	009670-4-12		A-22	Name Plate	1		
A-5	Face Plate Thread Guide	1	117636-0-01		A-23	Model Plate Pin	2		
A-6	Screw 2.38	1	102731-0-02		A-24	Thread Retainer	1	114931-0-02	
A-7	Thread Guide Assembly	1	117637-0-01		A-25	Screw 4.37	1	151601-0-02	
A-8	Screw 3.57	1	108960-0-04		A-26	Screw 5.95	1	103950-0-02	
A-9	Pin	1	117640-0-01		A-27-1	Screw 3.57	1	100402-0-04	
A-10	Oil Cap	1	117936-0-01		A-27-2	Upper Tension Regulator Bracket	1	145250-0-01	
A-11	Oil Cap	2	104449-0-01		A-27-3	Thread Take-up Spring	1	118197-0-01	A-27
A-12	Oil Cap	1	117934-0-01		A-27-4	Tension Stud	1	117632-0-01	Tension
A-13	Oil Cap	1	111937-0-01		A-27-5	Tension Disc	2	145446-0-01	Regulator
A-14	Spool Pin	1	100386-0-01		A-27-6	Tension Spring	1	117633-0-01	Assembly
A-15	Screw 3.57	4	100257-0-10		A-27-7	Tension Spring Washer	1	144105-0-00	158025-0-01
A-16	Top Cover	1	117534-0-02		A-27-8	Nut	1	151012-0-01	
A-17	Screw 3.57	3	100257-0-10		A-28	Arm Bed	1		
A-18	Rear Cover	1	148919-0-02						

From the library of: Diamond Needle Corp



## B. Needle Bar and Thread Take-up Mechanism

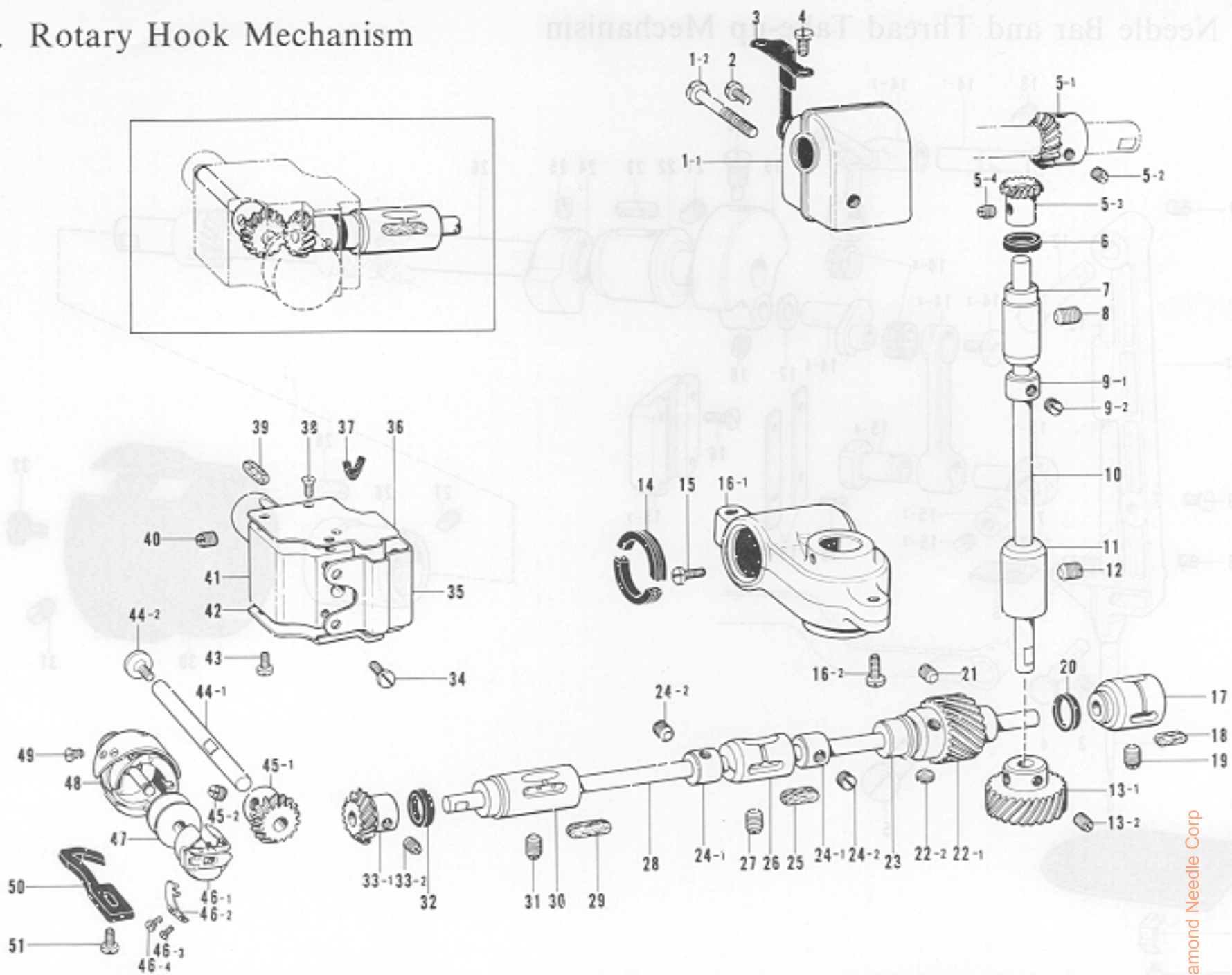


Ref. No.	Name of Parts	Q'ty	Parts No.	Assembly No.	Ref. No.	Name of Parts	Q'ty	Farts No.	Assembly No.
B- 1-1	Needle Plate	1		B-1	B-15-2	Needle Bar Clamp	1	147646-0-01	
B- 1-2	Spring	1	148310-0-01	Needle Plate Assembly	B-15-3	Screw 5.56	1	110124-0-01	
B- 1-3	Screw 2.38	2	122771-0-02	148309-0-01	B-15-4	Slide Block	1	118791-0-01	B-15
B- 2	Needle #11	1			B-15-5	Screw 3.18	4	100080-0-03	Slide Block Guide Assembly
B- 3	Screw 3.18	1	140553-0-01		B-15-6	Slide Block Presser Plate	2	147732-0-01	118807-1-01
B- 4	Pin D	1	113031-0-01		B-15-7	Slide Block Guide	1		
B- 5	Eccentric Shaft	1	117549-0-01		B-16	Screw 4.37	2	107407-0-03	
B- 6	Felt A	1	117547-0-01		B-17	Washer	1	110367-0-01	
B- 7	Spring	1	118311-0-01		B-18	Screw 6.35	2	100251-0-01	
B- 8	Screw 4.76	1	013711-0-10		B-19	Thread Take-up Crank	1	117543-0-00	
B- 9	Screw 5.95	1	105163-0-01		B-20	Screw 7.14	1	100250-0-01	
B-10-1	Needle Bar	1		B-10	B-21	Screw 5.95	1	013761-4-10	
B-10-2	Needle Bar Support	1		Needle Bar Support Assembly	B-22	Upper Shaft Bushing Left	1	117937-0-01	
B-11	Screw 4.76	1	013711-0-10		B-23	Felt	1	100248-0-01	
B-12	Pin U	1	117939-0-01		B-24	Counter Weight	1	117542-0-00	
B-13	Screw 5.95	1	151605-0-01		B-25	Screw 6.35	2	013780-8-10	
B-14-1	Stud	1	117553-0-01		B-26	Upper Shaft	1	117535-0-01	
B-14-2	Thread Take-up Lever Assembly	1		B-14	B-27	Screw 5.95	1	013760-6-10	
B-14-3	Screw 3.57	1	145465-0-01	Needle Bar Connecting Lever Assembly	B-28	Upper Shaft Bushing Right	1	117938-0-01	
B-14-4	Needle Bar Crank Rod	1	118793-0-01	117550-0-01	B-29	Felt	1	100248-0-01	
B-14-5	Needle Roller Bearing	2	116735-0-00		B-30	Pulley	1	117941-0-01	
B-14-6	Needle Bar Crank	1			B-31	Screw 5.95	2	013761-4-10	
B-15-1	Needle Bar Clamp Shaft	1	117560-0-01	B-15	B-32	Screw 8.73	1	104478-0-01	

Library of: Diamond Needle Corp



# C. Rotary Hook Mechanism

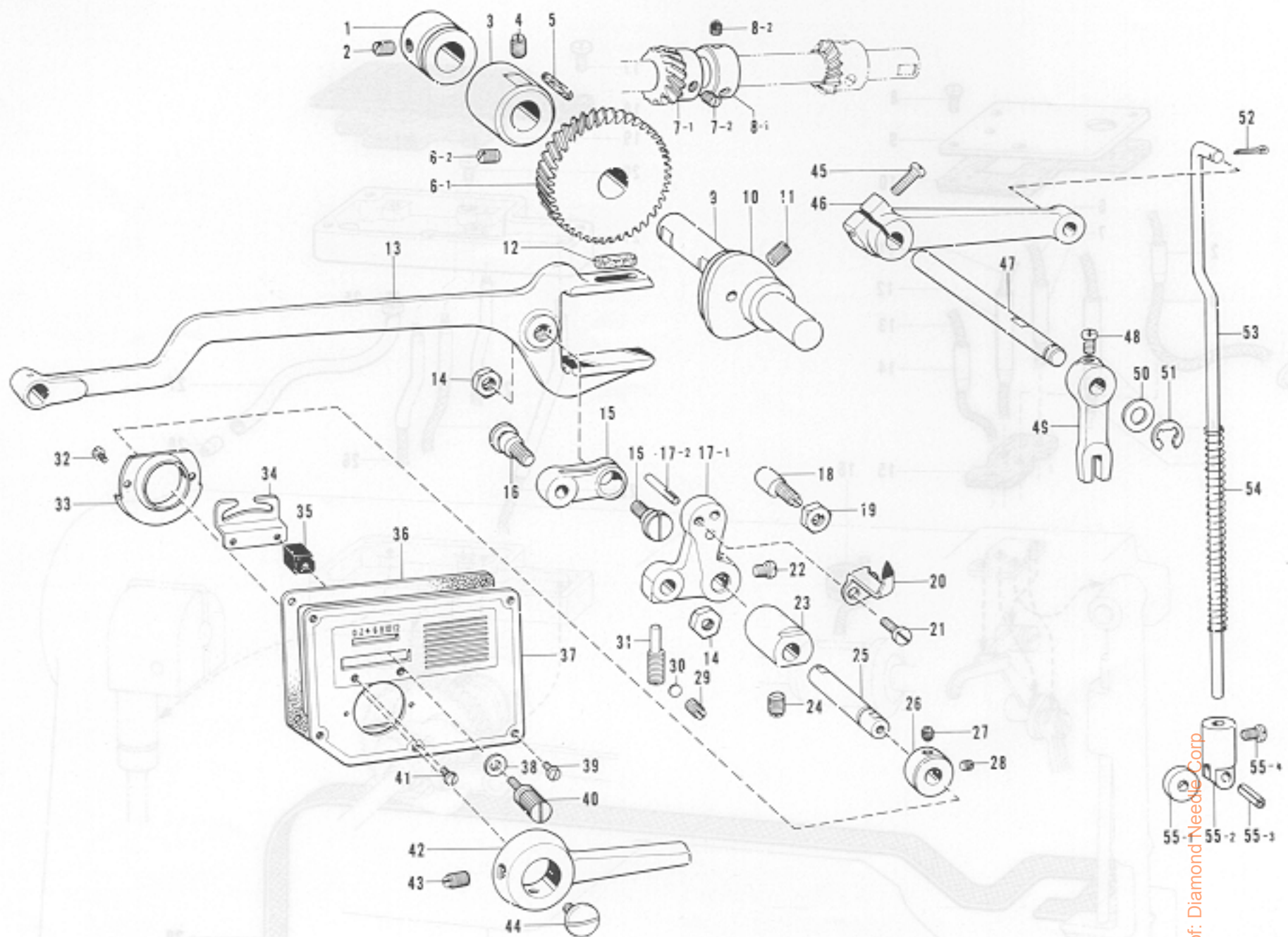


Ref. No.	Name of Parts	Q'ty	Parts No.	Assembly No.	Ref. No.	Name of Parts	Q'ty	Parts No.	Assembly No.
C- 1-1	Upper Gear Case	1		C-1 Gear Case Assembly 118280-1-01	C-25	Felt	1	100633-0-01	
C- 1-2	Screw 6.35 x 30	1	009783-0-12		C-26	Lower Shaft Bushing Middle	1	117582-0-01	
C- 2	Screw 6.35 x 8	1	009780-8-12		C-27	Screw 5.95	1	151605-0-01	
C- 3	Gear Case Supporter	1	117945-0-01		C-28	Lower Shaft	1	117577-0-01	
C- 4	Screw 3.57 x 6	2	001670-6-12		C-29	Felt	1	100633-0-01	
C- 5-1	Upper Shaft Gear	1		C-5 Upper Shaft Gear Assembly 118278-0-01	C-30	Lower Shaft Bushing Left	1	117583-0-01	
C- 5-2	Screw 6.35	2	100251-0-01		C-31	Screw 5.95	1	151605-0-01	
C- 5-3	Vertical Shaft Upper Gear	1			C-32	Seal	1	117584-0-01	
C- 5-4	Screw 6.35	2	103790-0-01		C-33-1	Lower Shaft Gear	1		C-33 Lower Shaft Gear Assembly 118285-0-01
C- 6	Seal	1	103796-0-01		C-33-2	Screw 6.35	2	101706-0-01	
C- 7	Vertical Shaft Bushing Upper	1	117570-0-01		C-34	Screw 3.57 x 6	4	009670-6-13	
C- 8	Screw 5.95	2	013760-6-10		C-35	Gear Case	1	117587-0-01	
C- 9-1	Vertical Shaft Set Collar	1		C-9 Set Collar Assembly 118299-0-01	C-36	Gear Case Cover Upper	1	117588-0-01	
C- 9-2	Screw 6.35	2	101706-0-03		C-37	Wick 4 x 4 (26 mm)	1	117591-0-01	
C-10	Vertical Shaft	1	117569-0-01		C-38	Screw 3.57	2	102843-0-02	
C-11	Vertical Shaft Bushing Lower	1	117571-0-01		C-39	Felt	1	100633-0-01	
C-12	Screw 5.95	2	013761-4-10		C-40	Screw 5.95	2	151605-0-01	
C-13-1	Vertical Shaft Gear	1		C-13 Vertical Shaft Driving Gear Assembly 118279-0-01	C-41	Rotary Hook Shaft Bushing	1	117590-0-01	
C-13-2	Screw 6.35	2	100251-0-01		C-42	Gear Case Cover Lower	1	117589-0-01	
C-14	Gear Case Seal	1	140536-0-01		C-43	Screw 3.57 x 6	3	009670-6-13	
C-15	Screw 4.76	1	013711-0-10		C-44-1	Rotary Hook Shaft	1		C-44 Rotary Hook Shaft Assembly 117592-0-01
C-16-1	Lower Gear Case	1		C-16 Gear Case Assembly 140740-0-01	C-44-2	Screw 3.57	1	145465-0-01	
C-16-2	Screw 6.35 x 18	2	009781-8-12		C-45-1	Rotary Hook Shaft Gear	1		C-45 Hook Driving Gear Assembly 118286-0-01
C-17	Lower Shaft Bushing Right	1	117580-0-01		C-45-2	Screw 6.35	3	101706-0-01	
C-18	Felt	1	117581-0-01		C-46-1	Bobbin Case	1		C-46 Bobbin Case Assembly 117596-0-01
C-19	Screw 5.95	1	151605-0-01		C-46-2	Lower Thread Adjusting Spring	1	182392-0-01	
C-20	Seal	1	117584-0-01		C-46-3	Spring Set Screw	1	181938-0-01	
C-21	Screw 5.95	2	151604-0-01		C-46-4	Spring Adjusting Screw	1	181937-0-01	
C-22-1	Lower Shaft Gear	1		C-22 Lower Shaft Gear Assembly 180973-0-01	C-47	Bobbin	1	146290-0-01	
C-22-2	Screw 6.35	2	105299-0-03		C-48	Rotary Hook Assembly	1	117677-0-01	
C-23	Gear Sleeve	1	117946-0-00		C-49	Screw 4.37	3	117594-0-01	
C-24-1	Vertical Shaft Set Collar	2		C-24 Set Collar Assembly 118299-0-01	C-50	Bobbin Case Holder Position Bracket	1	117595-0-01	
C-24-2	Screw 6.35	4	101706-0-03		C-51	Screw 4.37	1	107407-0-03	

From the library of Diamond Needle Corp



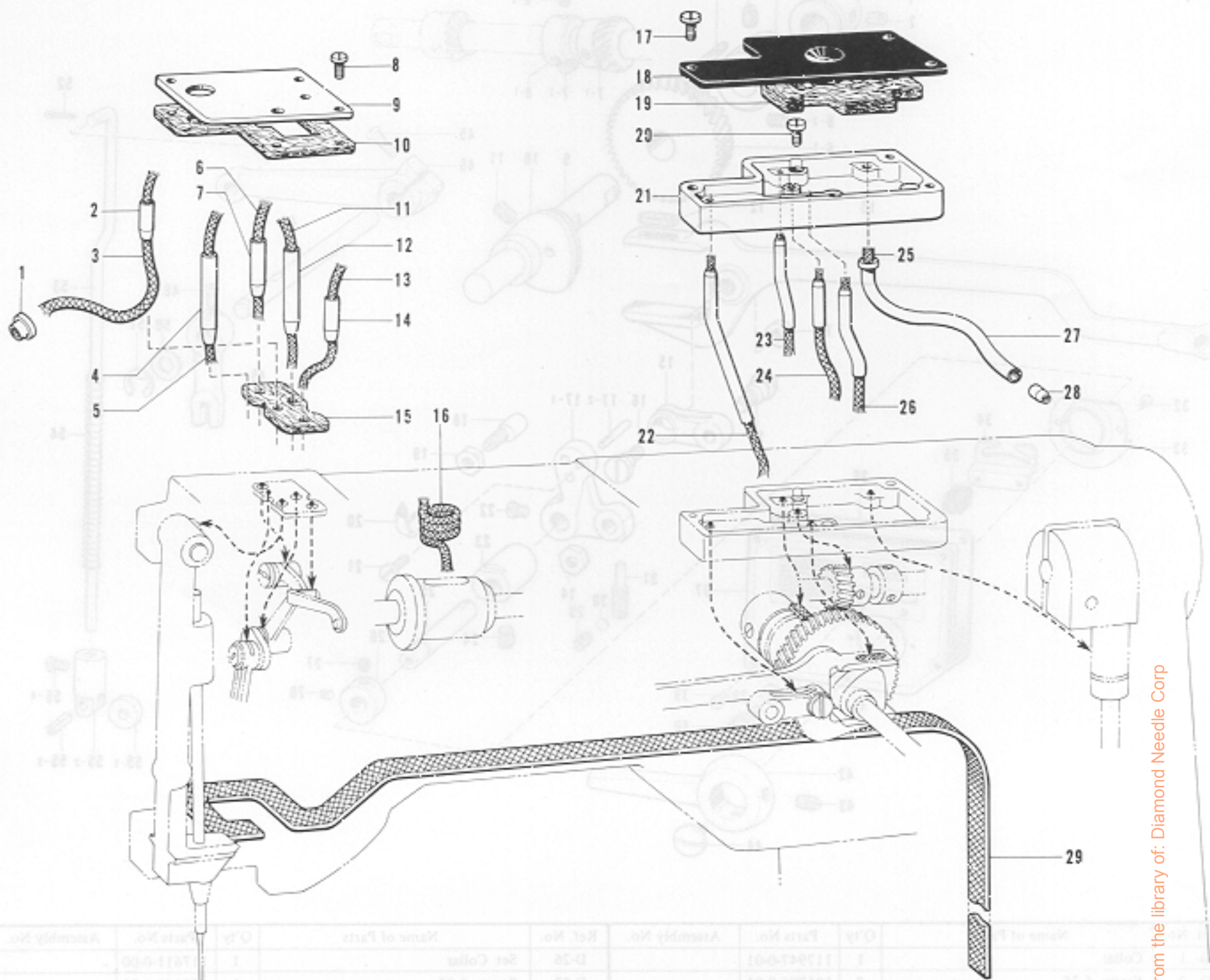
# D. Zigzag and Knee Lifter Mechanism



Ref. No.	Name of Parts	Q'ty	Parts No.	Assembly No.	Ref. No.	Name of Parts	Q'ty	Parts No.	Assembly No.
D- 1	Collar	1	117947-0-01		D-26	Set Collar	1	117611-0-00	
D- 2	Screw 6.35	2	101706-0-01		D-27	Screw 6.35	1	123006-0-01	
D- 3	Zigzag Shaft Bushing	1	117603-0-00		D-28	Screw 6.35	1	105299-0-03	
D- 4	Screw 5.95	1	151605-0-01		D-29	Screw 4.37	1	151603-0-02	
D- 5	Felt	1	100633-0-01		D-30	Washer	1	100507-0-00	
D- 6-1	Zigzag Shaft Driving Gear	1		D-6 Zigzag Cam Shaft Gear Assembly 180975-0-01	D-31	Screw	1	117613-0-01	
D- 6-2	Screw 6.35	2	101706-0-01		D-32	Screw 3.18 x 3	2	009660-3-12	
D- 7-1	Zigzag Shaft Gear	1		D-7 Upper Shaft Gear Assembly (Z) 180974-0-01	D-33	Zigzag Transverse Shaft Cover	1	140521-0-01	
D- 7-2	Screw 6.35	2	101706-0-01		D-34	Supporter	1	117618-0-01	
D- 8-1	Collar	1		D-8 Pulley Bush Assembly 118371-0-01	D-35	Nut	2	117617-0-01	
D- 8-2	Screw 6.35	2	100251-0-01		D-36	Packing	1	117620-0-00	
D- 9	Zigzag Shaft	1	117600-0-01		D-37	Panel	1	117619-0-01	
D-10	Zigzag Cam	1	117599-0-00		D-38	Washer	2	117948-0-00	
D-11	Screw 5.95	2	013760-6-10		D-39	Screw 3.57	5	100257-0-10	
D-12	Felt	1	117598-0-01		D-40	Screw	2	117616-0-01	
D-13	Zigzag Fork Rod	1	117597-0-01		D-41	Screw 3.57	2	100257-0-10	
D-14	Nut 7.14	2	104689-0-01		D-42	Zigzag Transverse Lever	1	117612-0-01	
D-15	Feed Link	1	147649-0-01		D-43	Screw 5.95	2	151604-0-02	
D-16	Screw 7.14	2	145486-0-01		D-44	Screw 4.76	1	100511-0-01	
D-17-1	Link B	1	147648-0-01	D-17 Zigzag Transverse Link B Assembly 147647-0-01	D-45	Screw 4.37 x 16	1	009681-6-12	
D-17-2	Pin	1	117608-0-01		D-46	Knee Lifter	1	117566-0-01	
D-18	Screw	1	117614-0-01		D-47	Knee Lifter Shaft	1	117563-0-01	
D-19	Nut 5.95	1	106588-0-01		D-48	Screw 4.37	2	104908-0-01	
D-20	Indicator	1	117615-0-01		D-49	Knee Lifter Shaft Fork	1	117565-0-01	
D-21	Screw 4.37	1	106629-0-01		D-50	Washer	1	116629-0-01	
D-22	Screw 4.37	2	104908-0-01		D-51	Stop Ring E6	1	048060-3-42	
D-23	Zigzag Transverse Shaft Bushing	1	117610-0-01		D-52	Pin	1	114909-0-00	
D-24	Screw 5.95	1	151605-0-01		D-53	Knee Lifter Complying Bar	1	117567-0-01	
D-25	Zigzag Transverse Shaft	1	117609-0-01		D-54	Spring	1	117568-0-01	
					D-55-1	Roller	1	112636-0-01	D-55 Knee Lifter Roller Bracket Assembly 151609-0-01
					D-55-2	Roller Bracket	1		
					D-55-3	Pin AWS	1	047501-2-42	
					D-55-4	Screw 4.37	1	151601-0-02	



# E. Lubrication

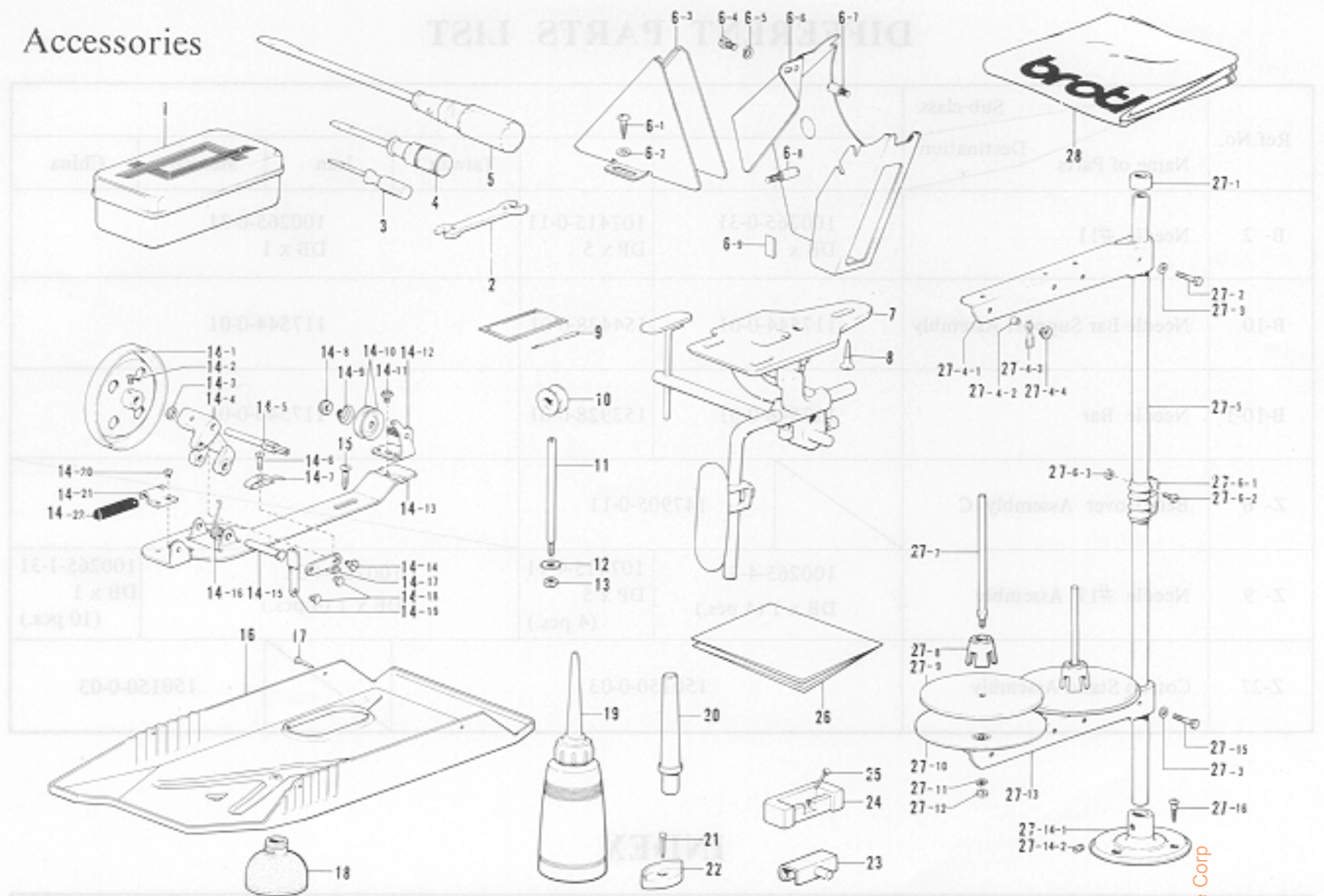


From the library of: Diamond Needle Corp

Ref. No.	Name of Parts	Q'ty	Parts No.	Assembly No.	Ref. No.	Name of Parts	Q'ty	Parts No.	Assembly No.
E-1	Wick Nipper	1	109993-0-01		E-16	Wick 6 x 6 (100 mm)	1	108808-0-01	
E-2	Oil Pipe	1	117656-0-00		E-17	Screw 3.57 x 6	3	001670-6-12	
E-3	Wick 4 x 4 (80 mm)	1	117007-0-01		E-18	Oil Tank Lid	1	117958-0-01	
E-4	Oil Pipe	1	116966-0-00		E-19	Felt	1	117957-0-01	
E-5	Wick 4 x 4 (60 mm)	1	117006-0-01		E-20	Screw 3.57 x 14	2	009671-4-12	
E-6	Wick 4 x 4 (35 mm)	1	111191-0-01		E-21	Oil Tank	1	117953-0-01	
E-7	Oil Pipe	1	116967-0-00		E-22	Wick 4 x 4 (170 mm)	1	152973-0-01	
E-8	Screw 3.57	4	100257-0-10		E-23	Wick 4 x 4 (140 mm)	1	148302-0-01	
E-9	Oil Tank Lid	1	117643-0-01		E-24	Wick 4 x 4 (100 mm)	1	109405-0-01	
E-10	Packing	1	117644-0-00		E-25	Wick 4 x 4 (170 mm)	1	152973-0-01	
E-11	Wick 4 x 4 (60 mm)	1	117006-0-01		E-26	Wick 4 x 4 (120 mm)	1	112999-0-00	
E-12	Oil Pipe	1	116969-0-00		E-27	Vinyl Tube	1	116984-0-00	
E-13	Wick 4 x 4 (26 mm)	1	117591-0-01		E-28	Oil Pipe	1	116968-0-00	
E-14	Oil Pipe	1	116968-0-00		E-29	Wick 2 x 2 (500 mm)	1	117022-0-01	
E-15	Felt	1	117642-0-01						



## Z. Accessories



Ref. No.	Name of Parts	Q'ty	Parts No.	Assembly No.	Ref. No.	Name of Parts	Q'ty	Parts No.	Assembly No.
Z-1	Accessory Box Assembly		110436-0-01		Z-14-21	Bobbin Winder Wheel Stopper Holder			Z-14
Z-2	Spanner 8 x 9		100887-0-01		Z-14-22	Bobbin Winder Wheel Stopper	100662-0-01		117963-0-01
Z-3	Screw Driver 1.9 x 52		142443-0-01		Z-15	Screw 5.5 x 20	100666-0-02		
Z-4	Screw Driver 3.3 x 70		118837-0-01		Z-16	Oil Pan	117657-0-01		
Z-5	Screw Driver 5.5 x 190		101572-1-01		Z-17	Nail	109714-0-00		
Z-6-1	Screw 5.5 x 20		100666-0-02	Z-6 Belt Cover Assembly C	Z-18	Oiler	117660-0-01		
Z-6-2	Washer 5.56		025730-1-32		Z-19	Oiler	114483-0-01		
Z-6-3	Belt Cover D				Z-20	Head Rest	100477-0-01		
Z-6-4	Screw 4.37 x 8		009680-8-12		Z-21	Nail	109714-0-00		
Z-6-5	Spring Washer 2-4.37		028680-2-42		Z-22	Head Cushion	148890-0-01		
Z-6-6	Belt Cover UC				Z-23	Hinge	143882-0-01		
Z-6-7	Stud C		147857-0-01		Z-24	Rubber Hinge	143910-0-01		
Z-6-8	Stud A		147855-0-01		Z-25	Nail	109714-0-00		
Z-6-9	Cushion 7 x 12		146289-0-01		Z-26	Table Sheet	149994-0-01		
Z-7	Knee Lifter Assembly		113380-0-01	Z-27-1	Cap				
Z-8	Screw 6.2 x 32		106030-0-01	Z-27-2	Bolt 5 x 28	017502-8-03			
Z-9	Needle #11 Assembly			Z-27-3	Washer 5	025050-2-33			
Z-10	Bobbin		146290-0-01	Z-27-4-1	Spool Holder 2			Z-27-4	
Z-11	Spool Pin		118499-0-01	Z-27-4-2	Thread Bushing	142990-0-01		Thread Hanger Assembly	
Z-12	Washer		116662-0-01	Z-27-4-3	Thread Guide Spring	150184-0-01		150192-0-03	
Z-13	Nut 4.37		021680-2-02	Z-27-4-4	Thread Hanger				
Z-14-1	Bobbin Winder Wheel Assembly			Z-27-5	Pipe	150172-0-00			
Z-14-2	Screw 4.37 x 5		100366-0-02	Z-27-6-1	Joint			Z-27-6	
Z-14-3	Washer			Z-27-6-2	Screw 5 x 14	150202-0-01		Joint for Cotton Stand	
Z-14-4	Bobbin Winder Wheel Shaft Supporter			Z-27-6-3	Nut 5	021500-1-03		150106-0-01	
Z-14-5	Bobbin Winder Shaft		117970-0-01	Z-27-7	Spool Shaft B	150179-0-01			
Z-14-6	Screw 3.18		100657-0-01	Z-27-8	Spool Cushion	147060-0-01			
Z-14-7	Bobbin Presser		100656-0-01	Z-27-9	Spool Mat	150182-0-00		Z-27	
Z-14-8	Tension Control Nut			Z-27-10	Spool Stand Base	150180-0-00		Cotton Stand Assembly	
Z-14-9	Tension Spring		100401-0-01	Z-27-11	Spring Washer 2-5	028050-2-43			
Z-14-10	Tension Disc		145446-0-01	Z-27-12	Nut 5	021500-1-03			
Z-14-11	Screw 4.37			Z-27-13	Spool Holder 2	150178-0-01			
Z-14-12	Bobbin Winder Guide Assembly			Z-27-14-1	Cotton Stand Base	150189-0-01		Z-27-14	
Z-14-13	Bobbin Winder Wheel Bracket			Z-27-14-2	Screw 6 x 7	150181-0-01		Cotton Stand Base Assembly	
Z-14-14	Screw 3.18		100659-0-01	Z-27-15	Bolt 5 x 28	017502-8-03		150139-0-01	
Z-14-15	Pin			Z-27-16	Screw 4.5 x 22	013452-2-03			
Z-14-16	Spring		117969-0-01	Z-28	Head Cover	144222-0-01			
Z-14-17	Bobbin Presser Arm								
Z-14-18	Pin								
Z-14-19	Bobbin Presser Bracket								
Z-14-20	Screw 3.57 x 3.5		009679-3-12						

\*The details of included accessories are subject to change.

\*Les détails des accessoires inclus sont sujets à des changements.

\*Änderungen in der Aufstellung der mitgelieferten Zubehöre sind vorbehalten. \*Los detalles de los accesorios incluidos pueden variar.